

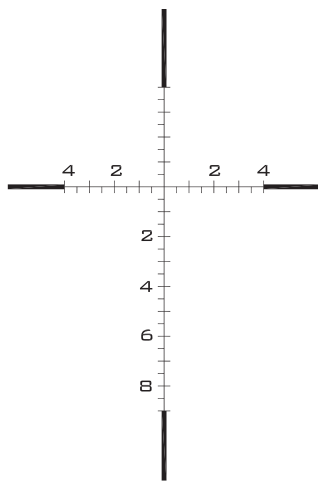
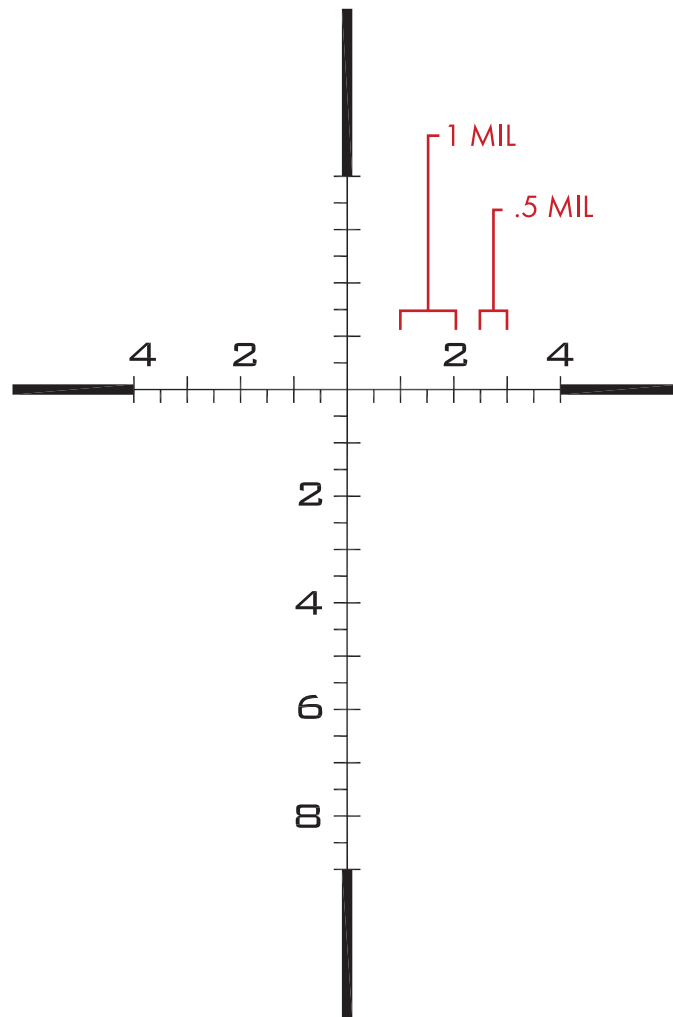
SCOPE: B-25 GAP

TYPE: MIL RADIANS

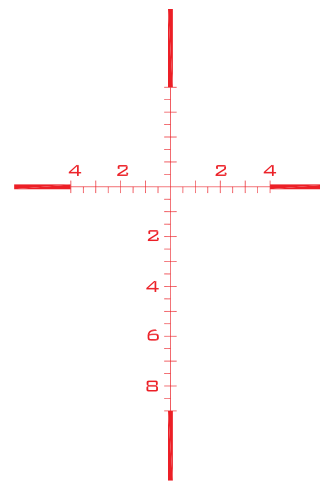
RETICLE: MIL SCALE GAP

POWER: 5 - 25X

U.S. OPTICS



NON-ILLUMINATED



ILLUMINATED